

UTTERMOST

ASSEMBLY INSTRUCTIONS

STYLE: 25942

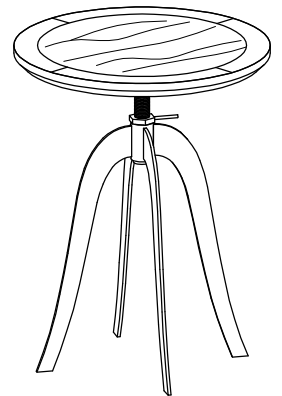
Hardware list

A		Lock pin	1pc
---	---	----------	-----

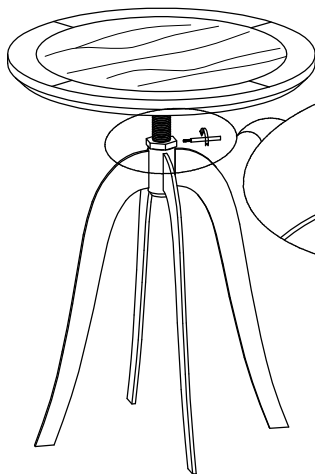
Parts list

1		Round Table	1pc
---	---	-------------	-----

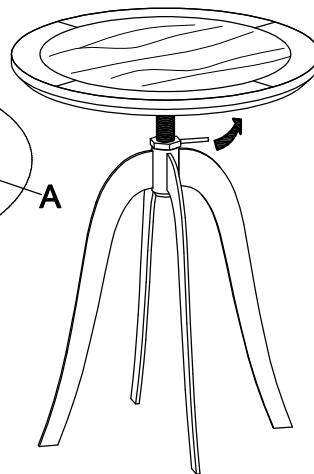
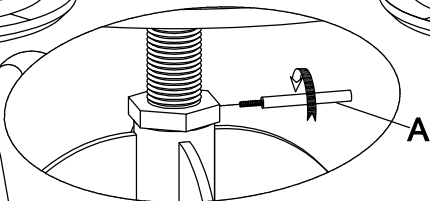
LOCK PIN MUST BE LOOSEN TO ADJUST HEIGHT OF TABLE
ONCE DESIRED HEIGHT IS REACHED TIGHTEN LOCK PIN



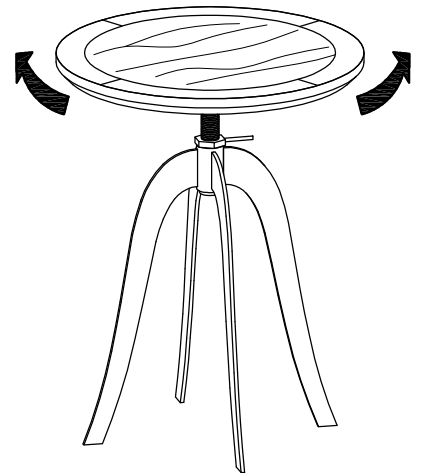
Step 1



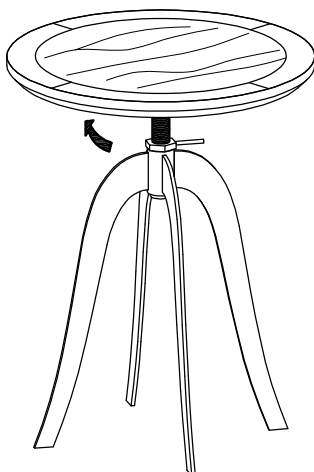
Step 2



Step 3



Step 4



Step 5

